



**30%**  
LIGHTER

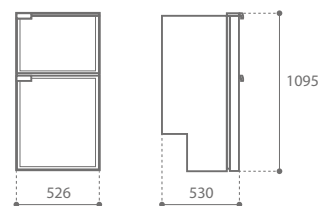


- ▶ Internal fixing points
- ▶ T-Rated climate class
- ▶ Fully insulated freezer

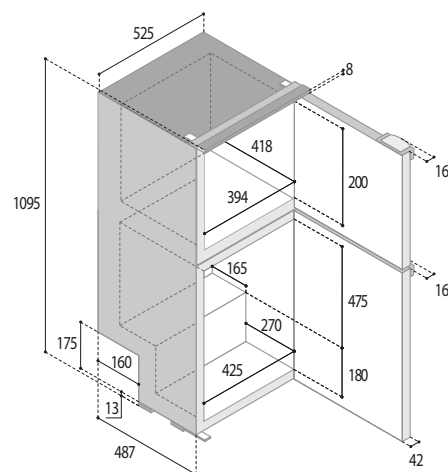


## DP150iD CHR

Total volume	150 lt.
Freezer compartment	33 lt.
Net weight	28 kg.
Power supply	12-24 Vdc
Absorption	670 Wh/24h
Climatic Class	T

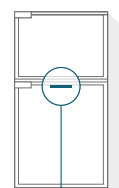


Dimension without fitting frame (optional)



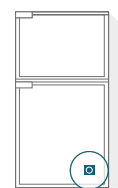
	DOOR INSIDE	DOOR OUTSIDE
MOUNTING FLANGE PROFILO DI FISSAGGIO	t: 25 w: 588 h: 1108	25 588 1108
BUILT-IN VANO INCASSO	a: 526 b: 542 c: 1098	481 542 1098

## TWO MODELS AVAILABLE



**DP150iD CHR**

Digital  
thermostat



**DP150i CHR**

Manual  
thermostat



 Double door colouring



BLACK

Black matte soft touch panel.



LIGHT GREY

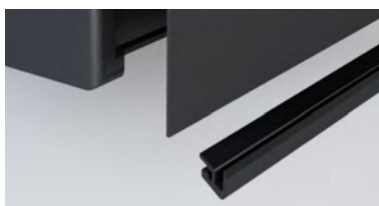
Light grey glossy panel.



  Door Inside or Outside (OPTIONAL mounting flange)



Replaceable finishing panel



Finishing panels from 0.8 mm to 3.0 mm thick. Panel replacement using interlocking flange.

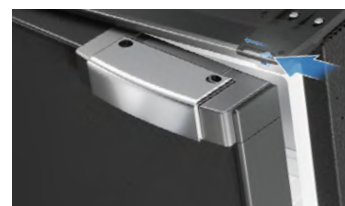


OPTIONAL



115-230Vac 50/60Hz  
24 Vdc/300W

Integrated Vent Position



Hold the door ajar during periods of non-use, avoiding the formation of mould.