

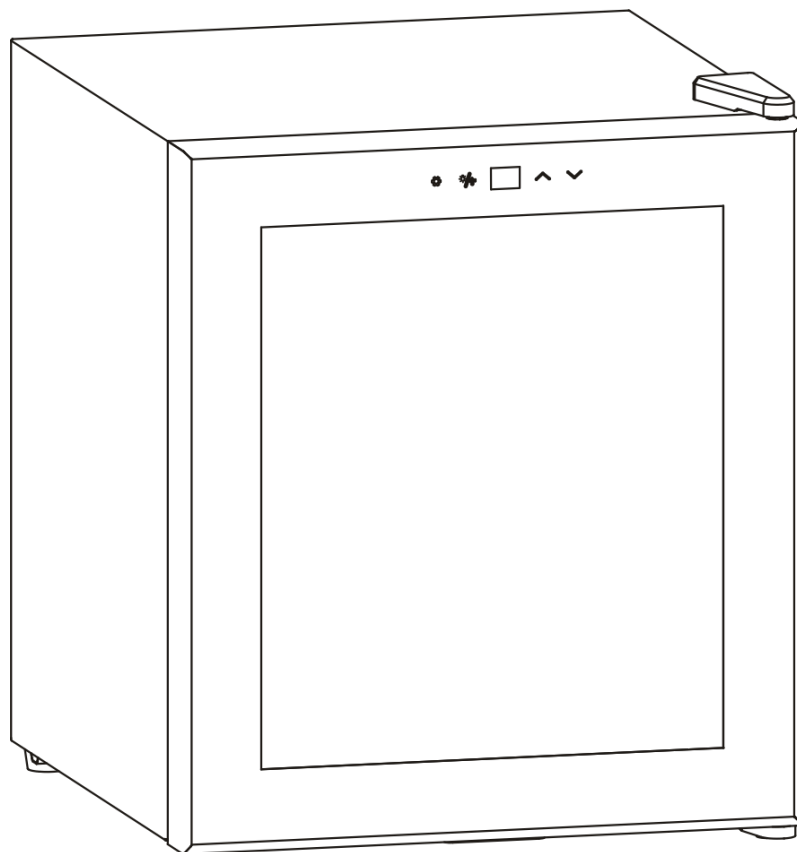
VITRIFRIGO

COOL AND BEYOND

Compressor Wine Cooler

Operating Instruction

MODEL: NCW46



BEFORE USE, PLEASE READ AND FOLLOW ALL SAFETY RULES AND OPERATING INSTRUCTION.

IMPORTANT SAFETY INSTRUCTIONS



To reduce the risk of fire, electrical shock, or injury when using your appliance, follow these basic precautions:

·Before using the appliance, please read this user manual to ensure that you gain the maximum benefit from it.

WARNING:

- 1) This appliance is not intended for use by persons (including children) with reduced physical, sensory or mental capabilities, or lack of experience and knowledge, unless they have been given supervision or instruction concerning use of the appliance by a person responsible for their safety.
- 2) Children should be supervised to ensure that they do not play with the appliance.
- 3) This appliance can be used by children aged from 8 years and above and persons with reduced physical, sensory or mental capabilities or lack of experience and knowledge if they have been given supervision or instruction concerning use of the appliance in a safe way and understand the hazards involved. Children shall not play with the appliance. Cleaning and user maintenance shall not be made by children without supervision.
- 4) If the supply cord is damaged, it must be replaced by the manufacturer, its service agent or similarly qualified persons in order to avoid a hazard.
- 5) To avoid a hazard due to instability of the appliance, it must be fixed in accordance with the instructions.
- 6) When positioning the appliance, ensure the supply cord is not trapped or damaged.
- 7) Do not locate multiple portable socket-outlets or portable power supplies at the rear of the appliance.
- 8) Keep ventilation openings, in the appliance enclosure or in the built-in structure, clear of obstruction.
- 9) Do not use mechanical devices or other means to accelerate the defrosting process, other than those recommended by the manufacturer.
- 10) Do not damage the refrigerant circuit.
- 11) Do not use electrical appliances inside the drink storage compartments of the appliance, unless they are of the type recommended by the manufacturer.
- 12) Do not store explosive substances such as aerosol cans with a flammable propellant in this appliance.
- 13) This appliance is intended to be used in household and similar applications such as
 - staff kitchen areas in shops, offices and other working environments;
 - farm houses and by clients in hotels, motels and other residential type environments;
 - bed and breakfast type environments;
 - catering and similar non-retail applications.
- 14) Children aged from 3 to 8 years are allowed to load and unload refrigerating appliances.
- 15) To avoid contamination of drink, please respect the following instructions:
 - Opening the door for long periods can cause a significant increase of the temperature in the compartments of the appliance.
 - Clean regularly surfaces that can come in contact with drink and accessible drainage systems.
 - Clean water tanks if they have not been used for 48 h; flush the water system connected to a water supply if water has not been drawn for 5 days.
 - If the refrigerating appliance is left empty for long periods, switch off, defrost, clean, dry, and leave the door open to prevent mould developing within the appliance.

·Note: This appliance contains flammable refrigerant R600a and foaming agent cyclopentane.

Please avoid contact fire when you transport and use it.

Please ask professional for servicing when the machine broke down. Please send it to your local appointed disposal station when you discard it.

-Save these instructions-



During using, service and disposal the appliance, please pay attention to symbol similar as left side, which is located on rear of appliance (rear panel or compressor) and with yellow or orange color.

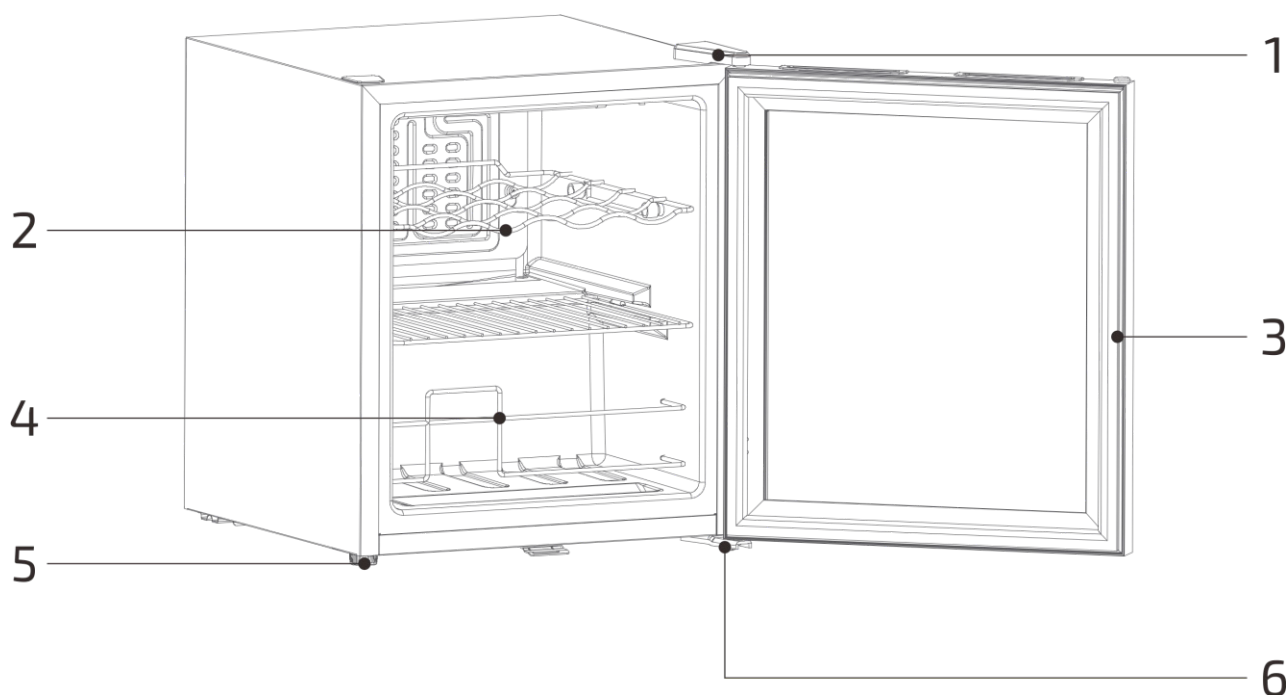
It's risk of fire warning symbol. There are flammable materials in refrigerant pipes and compressor.

Please be far away fire source during using, service and disposal.

INSTALLATION INSTRUCTIONS

- This appliance is designed to be free standing only, and should not be recessed or built-in.
- Place your appliance on a floor that is strong enough to support the appliance when it is fully loaded. To level your appliance, adjust the leveling legs at the bottom of the appliance.
- Allow 10 cm of space between the top, the back and sides of the appliance, which allows the proper air circulation to cool the compressor and condenser.
- Locate the appliance away from direct sunlight and sources of heat (stove, heater, radiator, etc.). Direct sunlight may affect the acrylic coating and heat sources may increase electrical consumption. Extreme cold ambient temperatures may also cause the unit not to perform properly.
- Avoid locating the appliance in moist areas.
- Plug the unit into an exclusive, properly installed-grounded wall outlet. Do not under any circumstances cut or remove the third (ground) prong from the power cord. Any questions concerning power and/or grounding should be directed toward a certified electrician or an authorized Products service center.
- After plugging the appliance into a wall outlet, allow the appliance to cool down for 2-3 hours before placing any items in the compartment.

PARTS AND FEATURES



1: Upper Hinge
2: Shelves
3: Door Gasket

4: Display Shelves
5: Adjust Foot
6: Bottom Hinge

OPERATING YOUR UNIT

Setting the Temperature Control



Key Function

- ① Unlock key: long press for 2 seconds to unlock
- ② Light/CF key: short press to turn on or off the light; long press to switch between Fahrenheit and Celsius
- ③ Add key: temperature setting
- ④ Minus key: temperature setting

Automatic locking function

When all the key no operation for **20** seconds, the key will be locked automatically. After locking, the plus and minus keys cannot be operated. The unlock key and light / CF key operate normally

Auto light off function

When all the key no operation for 10 minutes, the lamp will turn off automatically

Adjustable range

Minimum value: **5°C / 41°F**

Maximum value: **18°C / 64°F**

Display range

Temperature display range of control panel: **0~37°C / 32~99°F**

Display stability

In the Celsius state: When the temperature measured by the temperature probe is within $\pm 1^\circ\text{C}$ of the set temperature, the temperature display will display the set temperature value

In the Fahrenheit state: When the temperature measured by the temperature probe is within $\pm 2^\circ\text{F}$ of the set temperature, the temperature display will display the set temperature value

Error code

LL: When the temperature measured by the temperature probe is lower than 0 degrees Celsius, "LL" is displayed, flashing, and the cooling is stopped

When the temperature probe is short-circuited or disconnected, the setting temperature value is displayed, the compressor will work for 15 minutes and stop for 18 minutes

When the temperature measured by the temperature probe is higher than 37 degrees Celsius, the setting temperature value is displayed, the compressor will work for 15 minutes and stop for 18 minutes

Forced defrosting function

When the compressor works for **12** hours, the compressor will stop working for **40** minutes

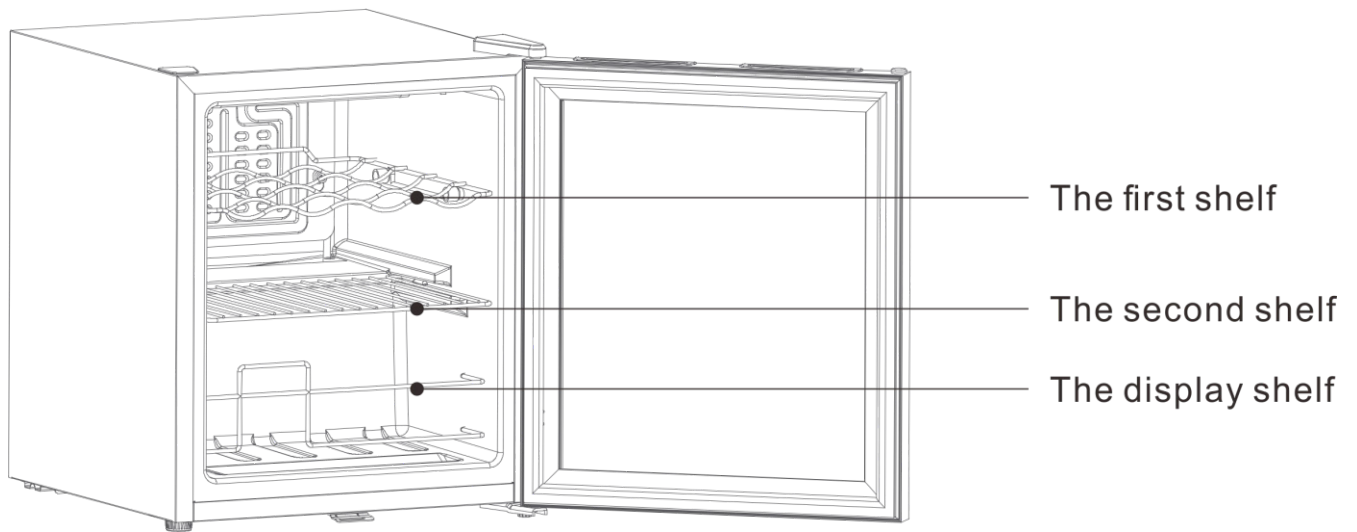
Memory function

The control board is re-energized after each power-off, the temperature setting value, Fahrenheit/Celsius state will be the same as before the power-off, and the length of power-off time is not limited

Tips

- It is intended to be used exclusively for the storage of wine.
- This refrigerating appliance is not suitable for the freezing foodstuffs.
- The wine cooler is recommended to be designed at 12°C.
- The shelves placed in factory mode is the most efficient use of energy for the refrigerating appliances.
- The following combination of shelves is recommended for energy to be used as efficiently as possible by the refrigeration unit.

THERE ARE TWO SHELVES AND ONE DISPLAY SHELF IN TOTAL

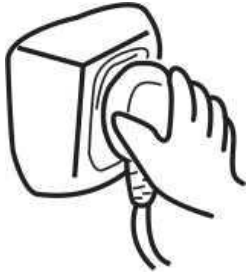


- When the surrounding temperature is 25°C and the wine cooler has no bottle loaded, it will take around 30 minutes to increase the wine cooler's temperature from 5°C to 12°C. Under the same circumstance, it will take around one hour to decrease the wine cooler's temperature from 12°C to 5°C. The less the temperature span is, the less time it will take
- The wine cooler is recommended to be designed at 12°C. The energy consumption is 0.293kWh/24h. If the setting temperature is higher than 12°C, the energy consumption will be lower. If the setting temperature is lower than 12°C, the energy consumption will be higher.
- When the compressor works for 12 hours, the compressor will stop and defrost for 40 minutes

GENERAL FAULT DESCRIPTION

If the product is not working properly, please check and handle according to the following methods. If the situation can not be changed, please contact the local after-sales service center in time, and be sure to provide the model name and product number in detail.

The refrigerator doesn't work



Is the power on?

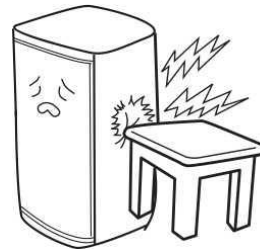


Is the power supply voltage too low?

It's noisy



Whether the ground is flat and whether the product is placed stably

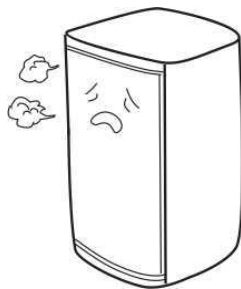


Is the product in contact with external objects or walls

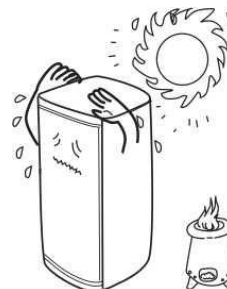
The internal temperature is not low



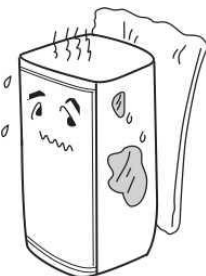
Improper setting temperature, please select the appropriate temperature



The door is not closed tightly or opened frequently, and the opening time is too long

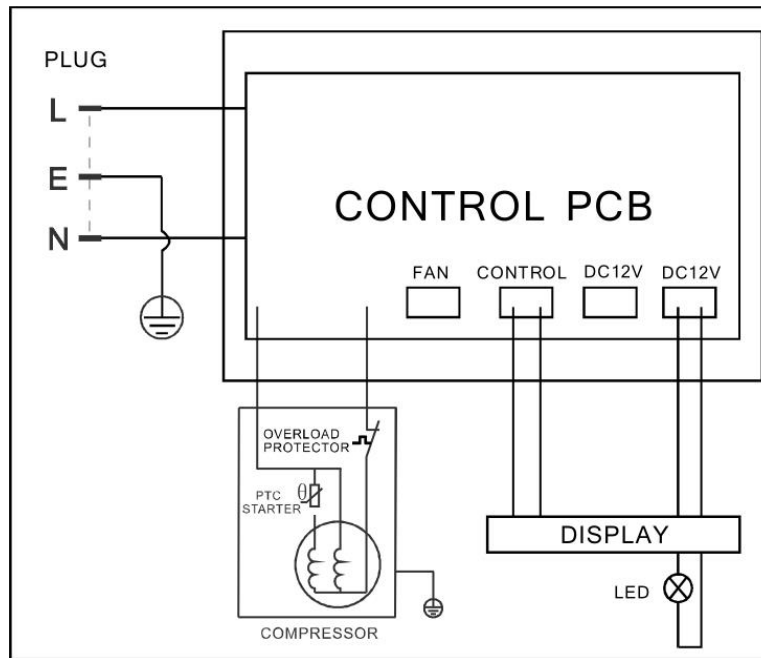


Is the location exposed to direct sunlight or too close to the furnace and other heat sources



Poor heat dissipation, please check whether there is enough cooling space around the product

WIRING DIAGRAM



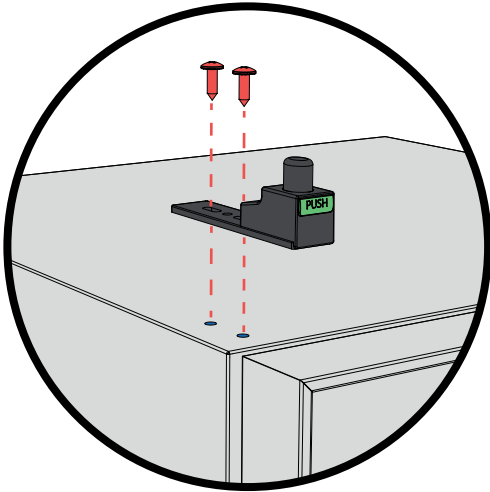
Correct disposal of this product



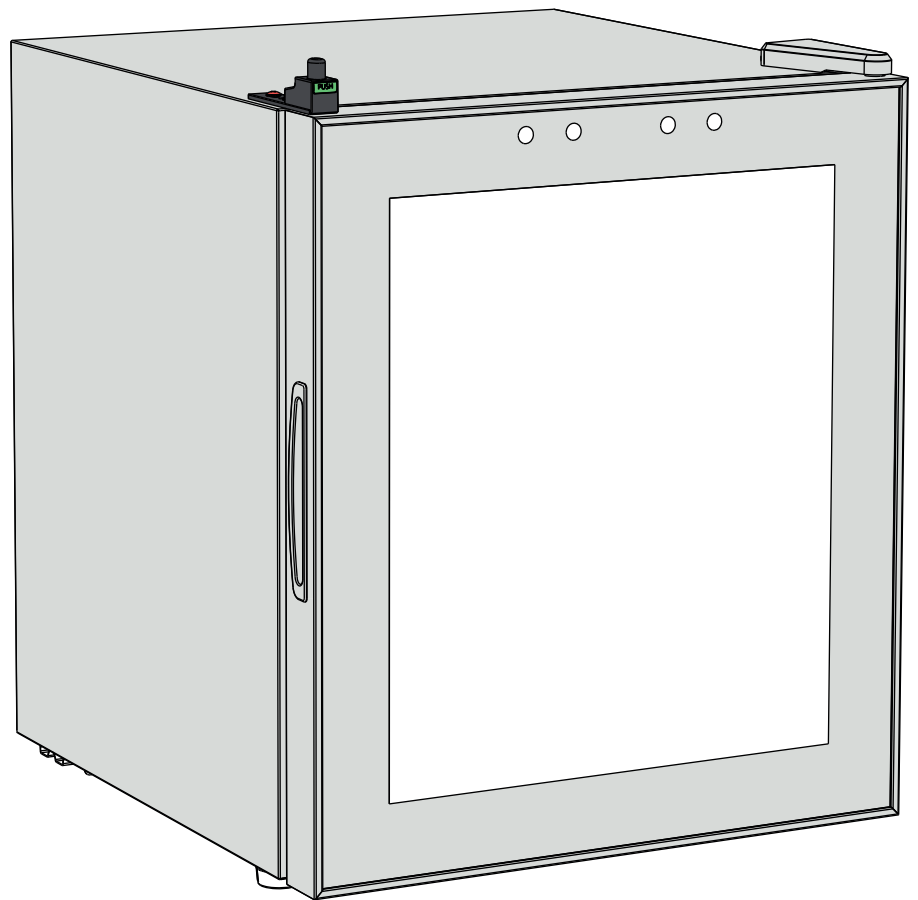
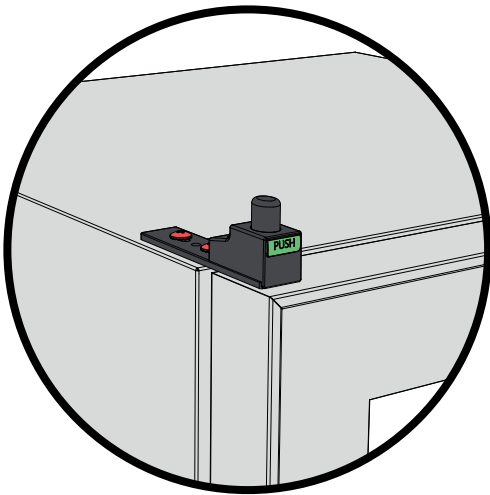
This symbol on the product, or in its packaging, indicates that this product may not be treated as household waste. Instead, it should be taken to the appropriate waste collection point for the recycling of electrical and electronic equipment. By ensuring this product is disposed of correctly, you will help prevent potential negative consequences for the environment and human health, which could otherwise be caused by the inappropriate waste handling of this product. For more detailed information about the recycling of this product, please contact your local council, your household waste disposal service, or the shop where you purchased the product.

ASSEMBLY LOCKING PIN

PHASE 1



PHASE 2





DICHIARAZIONE DI CONFORMITÀ CE

Vitrifrigo srl, con sede in:
via Mazzini 75, 61022 frazione Montecchio, Vallefoglia, Italy
dichiara sotto la propria responsabilità che il prodotto:

- è conforme dalla Direttiva Bassa Tensione (LVD) 2014/35 CE
- è conforme alla Direttiva Compatibilità Elettromagnetica (EMC) 2014/30 CE

UE DECLARATION OF CONFORMITY

Vitrifrigo srl, with Registered office in:
via Mazzini 75, 61022 frazione Montecchio, Vallefoglia, Italy
declares under its own responsibility that the product:

- is compliant with the Low Voltage Directive (LVD) 2014/35 EC
- is compliant with the Electromagnetic Compatibility Directive (EMC) 2014/30 EC



IL LEGALE
RAPPRESENTANTE

Vitri Alceste




VITRIFRIGO S.r.l.

Via Mazzini, 75
Fraz. Montecchio
61022 Vallefoglia (PU)

tel. +39 0721.154.500
www.vitrifrigo.com