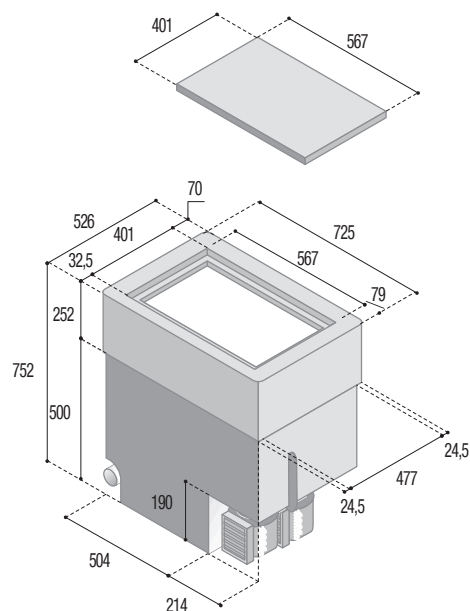
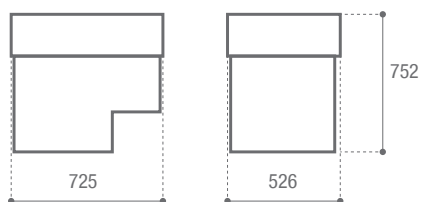


TOP LOADING SERIES



TL160RF TL160BT

Total volume Capacità totale	160 lt.
Net weight Peso netto	29 kg.
Power supply Alimentazione	12/24 Vdc
Absorption Consumo	N.A.
Internal temperature at 25°C ambient temperature	TL 160RF +4 °C
Temperatura interna a 25°C ambiente	TL 160BT -12 °C



OPTIONAL

