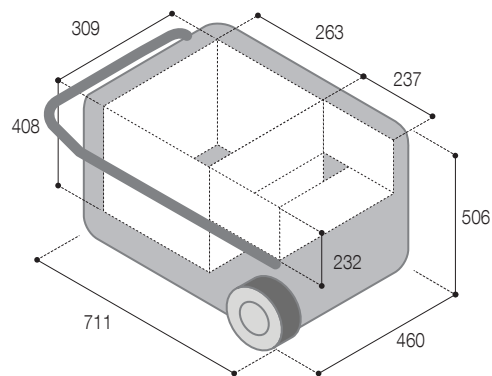
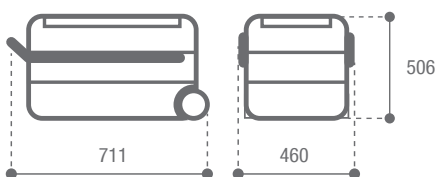
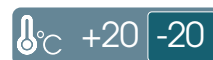




VFT50



Total volume Capacità totale	50 lt.
Net weight Peso netto	17,7 kg.
Power supply and nominal consumption Alimentazione e consumo nominale	12/24 Vdc 100-240Vac 50/60Hz 60 W



SMART APP CONTROL



OPTIONAL

COVER
COPERTURA



100/200W Solar Panel
19,5 Vdc - 5,5A



SLIDES

GUIDE SCORREVOLI



15.600 mAh DETACHABLE LITHIUM ION BATTERY

